

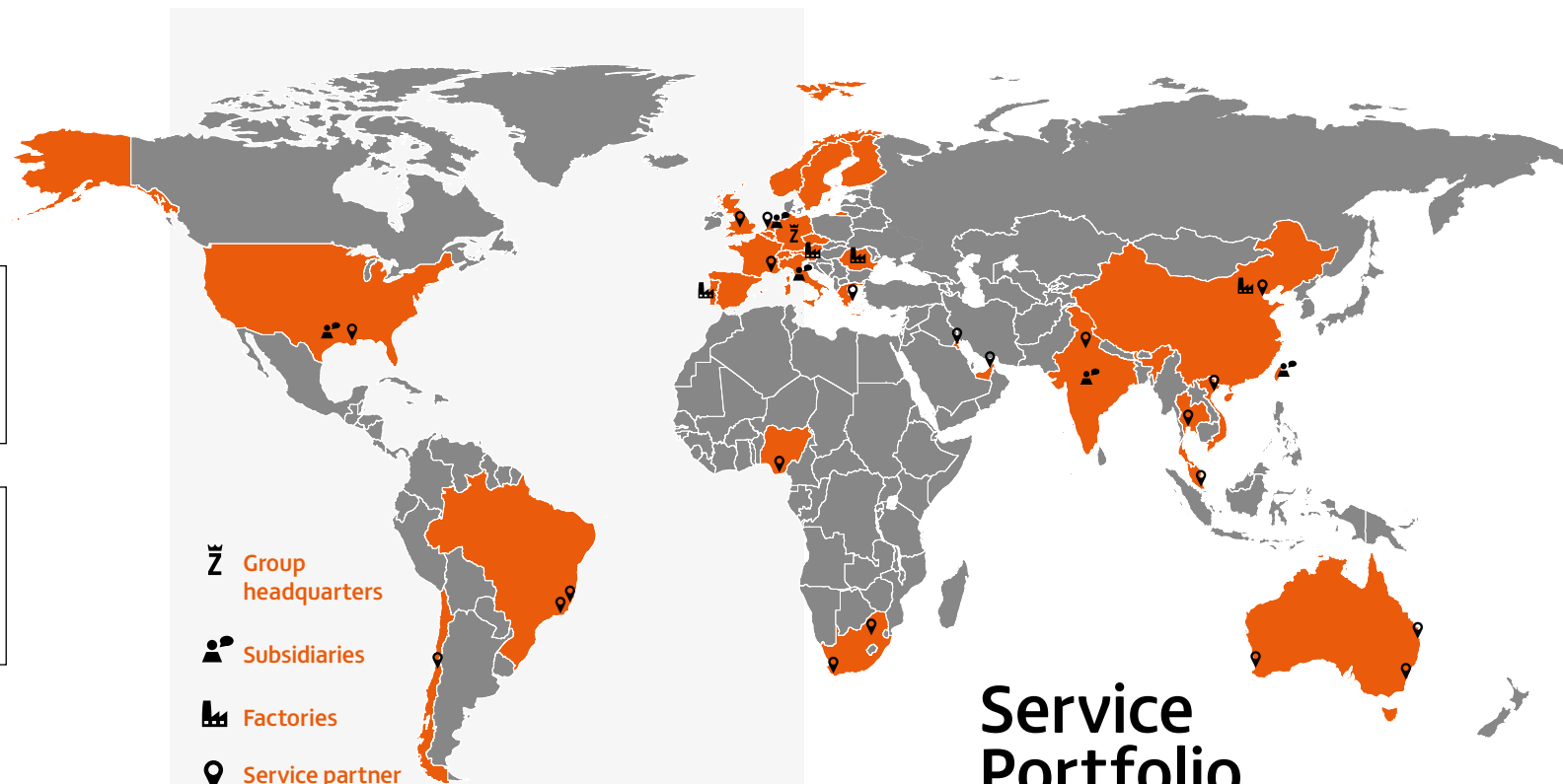
ZOLLERN


Solid metals. Fine solutions.

Drive Technology

Customer
Service

ZOLLERN worldwide



 Group headquarters

 Subsidiaries

 Factories

 Service partner

Service Portfolio

- 20 service points and service partners
- 7 production sites, 5 subsidiaries
- 2.000 employees worldwide
- Global network of representatives and service branches

- Genuine spare parts
- Retrofitting, overhauling and repair work
- Field service support
- Failure investigation
- Reverse engineering
- Maintenance service
- Commissioning and installation support
- ZOLLERN Training Academy
- Monitoring and support
- Service hotline



ZOLLERN-worldwide



ZOLLERN-Drive Guard



ZOLLERN-Products

ZOLLERN

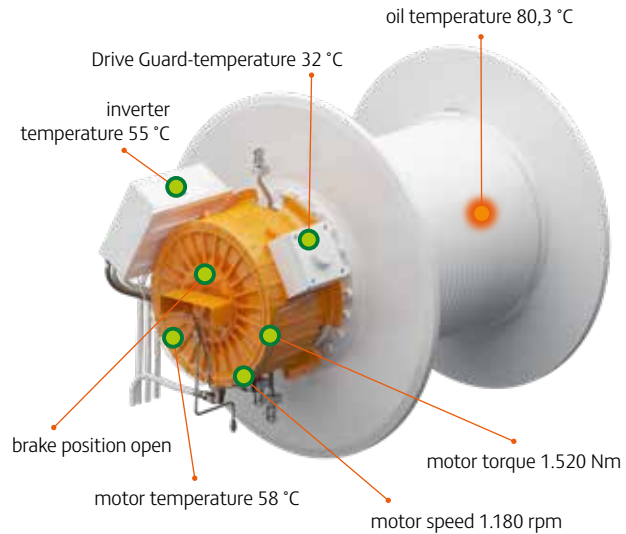
ZOLLERN GmbH & Co. KG

Heustrasse 1
88518 Herberlingen
Germany
T +49 7586 959-555
service@zollern.com
www.zollern.com



ZOLLERN Drive Guard

Condition Monitoring and Predictive Maintenance



Condition Monitoring System

The ZOLLERN Drive Guard is a condition monitoring system specially developed by ZOLLERN Drive Technology and customized to the requirements of ZOLLERN gearboxes and winches.

Drive Guard Online Portal

- Status and device data visualization
- Worldwide access



ZOLLERN Maintenance Kits

Application specific Maintenance Concept for Predictive Maintenance

Based on the growing tightness of supply chains and the ambition to reduce and avoid downtimes as best as possible, ZOLLERN offers application specific maintenance kits for predictive maintenance.

Level Kits

- Individual configuration based on
 - decades of field experience of the ZOLLERN company
 - experience of internal finding field components
 - theoretically calculated lifetime »FEM«
- Depending on the customer application
- Second life possibilities

Level 1 Basic Overhaul Kit	Depending on the application
Level 2 (incl. Level 1) Reconditioning Kit	Depending on the application
Level 3 (incl. Level 1 and 2) General Overhaul Kit	Second-Life Overhaul depending on the application
Remaining Parts only if damaged	Depending on the application

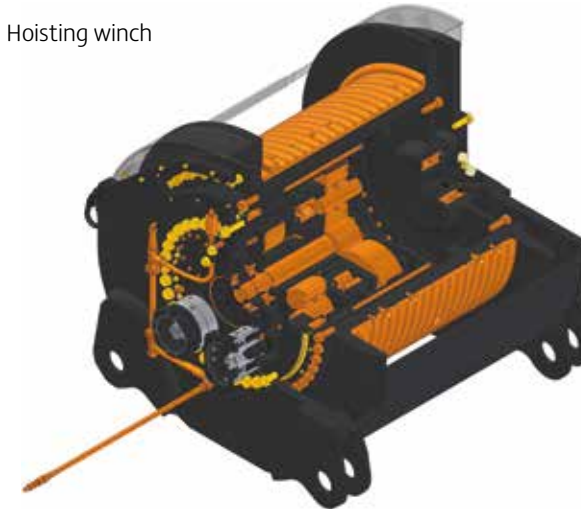
Advantage

- Predictive maintenance
- Minimization of risks of unscheduled downtimes
- Attractive package price
- No single sourcing
- Clear definition of wear parts
- Calculation of »Total Costs of Ownership - TCO«

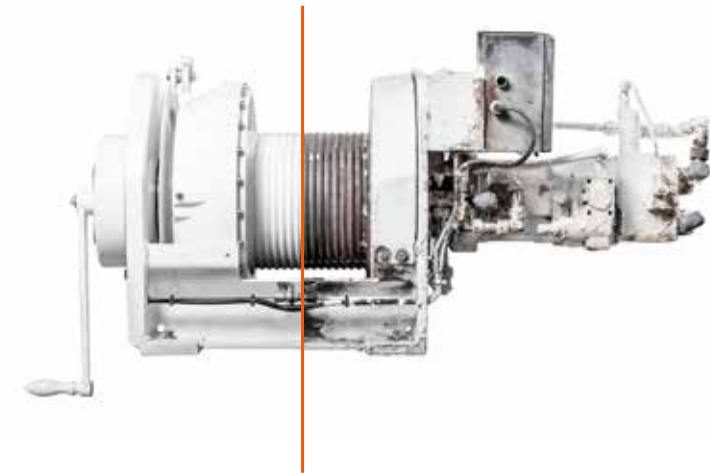
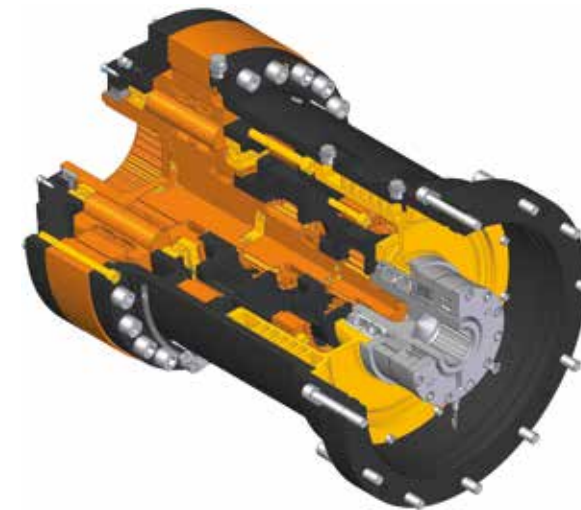
ZOLLERN Overhaul and Repair

Example: Rescue Boat Winch

Hoisting winch



Tunneling gearbox



We want to be your partner of choice for both brands

